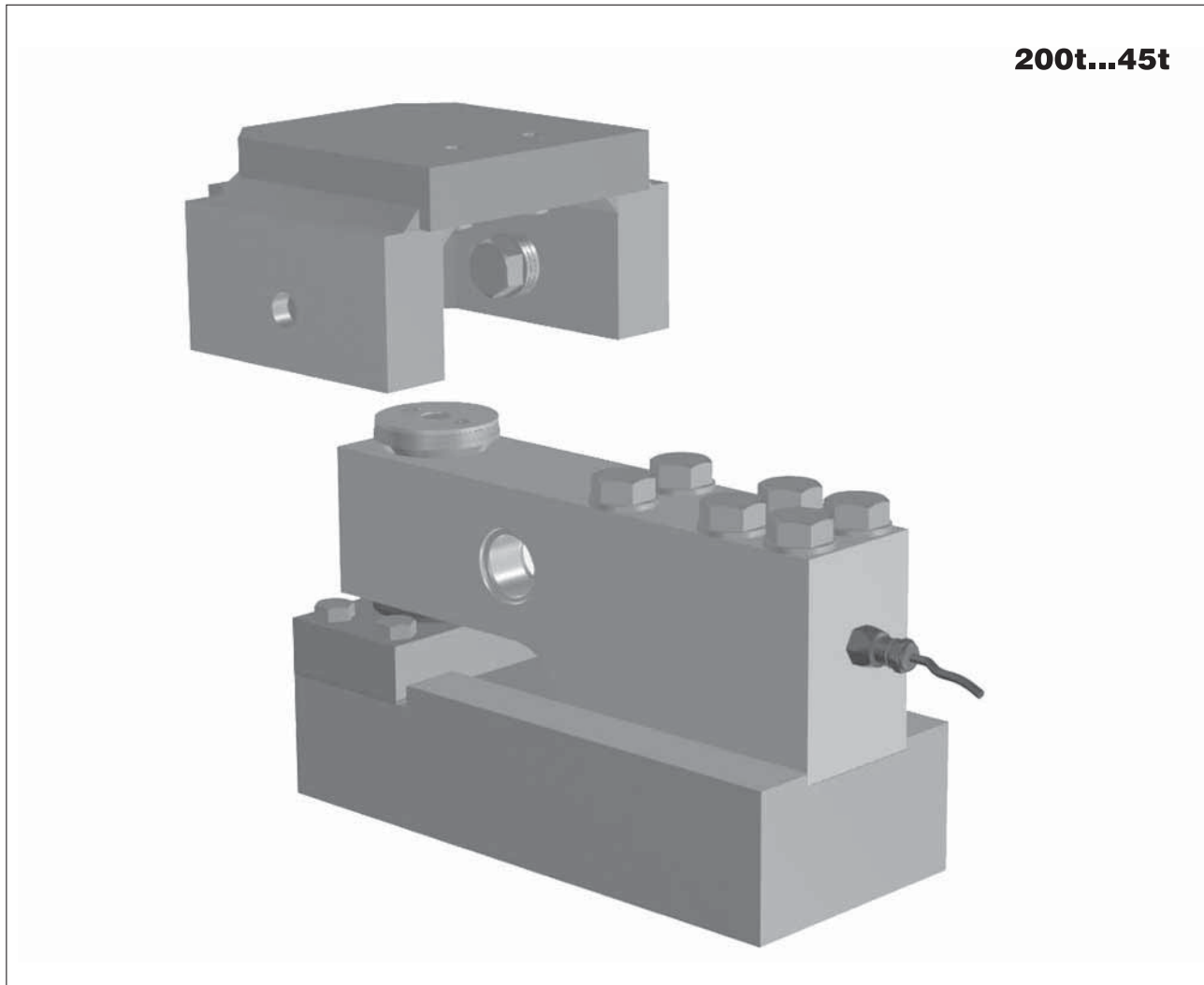


Type 52-01HD Weigh Module

52-01HD称重模块



200t...45t

Weigh Module Type 52-01HD with SB2 load cell
带SB2的称重模块52-01HD

Important Features

- Capacities: 20t and 45t.
- Ideal for high capacity, heavy duty, platform scales.
- Blind hole load introduction.
- W&M certified.
- Optional overload stop.
- Extremely rugged design.
- Easy installation by welding.

主要特点

- 量程：20t 到45t
- 高负荷，高强度，平台称
- 盲孔安装
- W&M认证
- 可选过载保护
- 高强度设计
- 焊接连接

