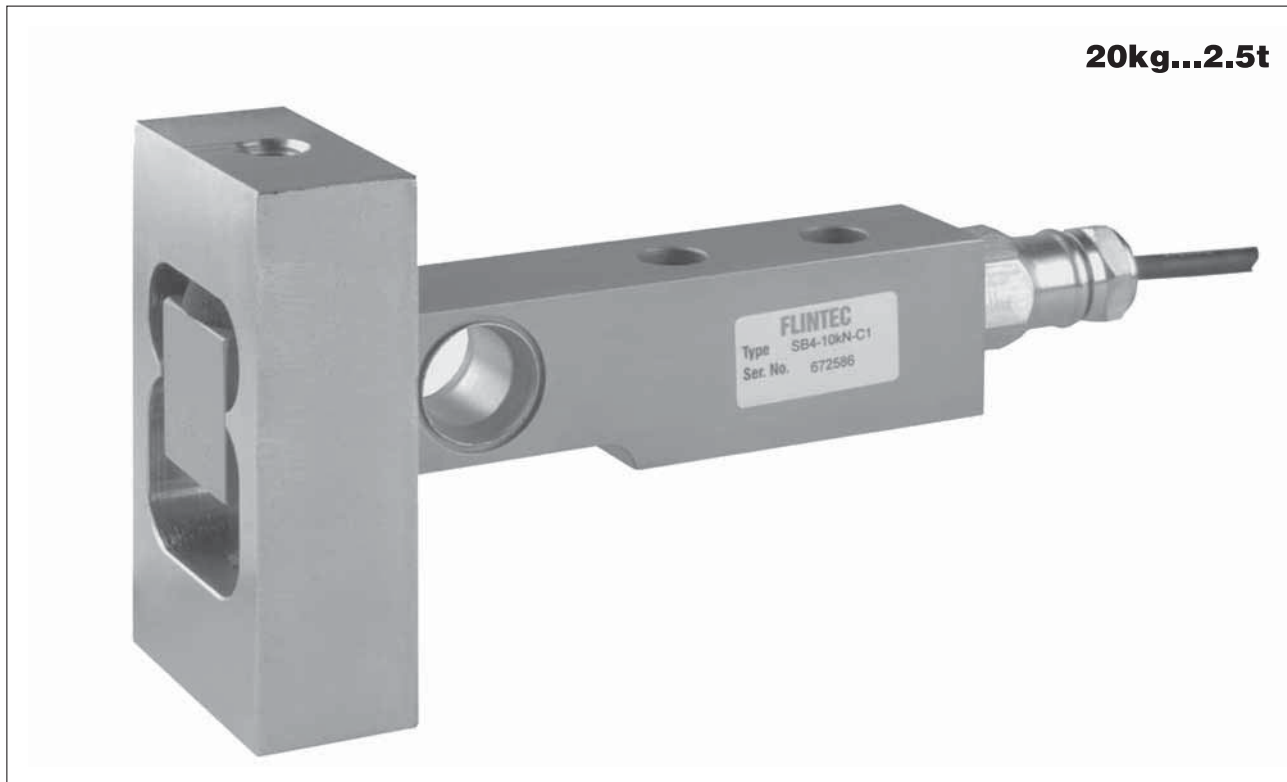


## Type 52-31 Tension Adapter

悬臂梁式适配器52-31



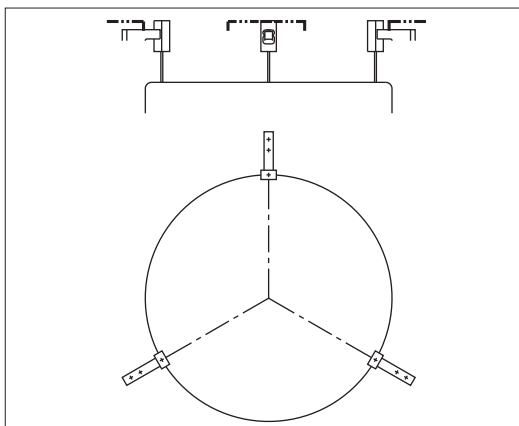
### Important Features

- Blind hole load introduction.
- Capacity range: 20 kg to 5 000 kg.
- Very easy to install.
- Especially designed to support suspended loads and for hybrid scale conversions.
- W&M certified.

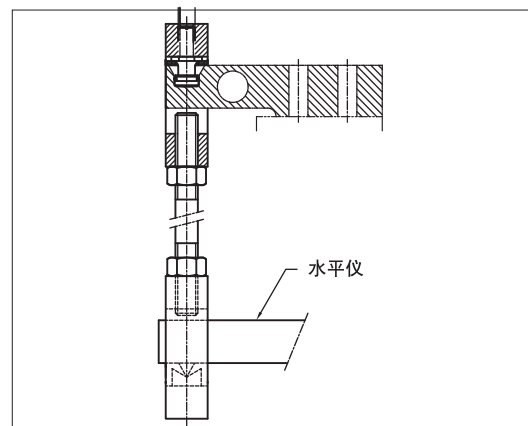
### 主要特点

- 盲孔安装
- 量程：20 kg 到5000 kg
- 易安装
- 专为吊称和导轨导称设计
- W&M认证

### Examples 示例

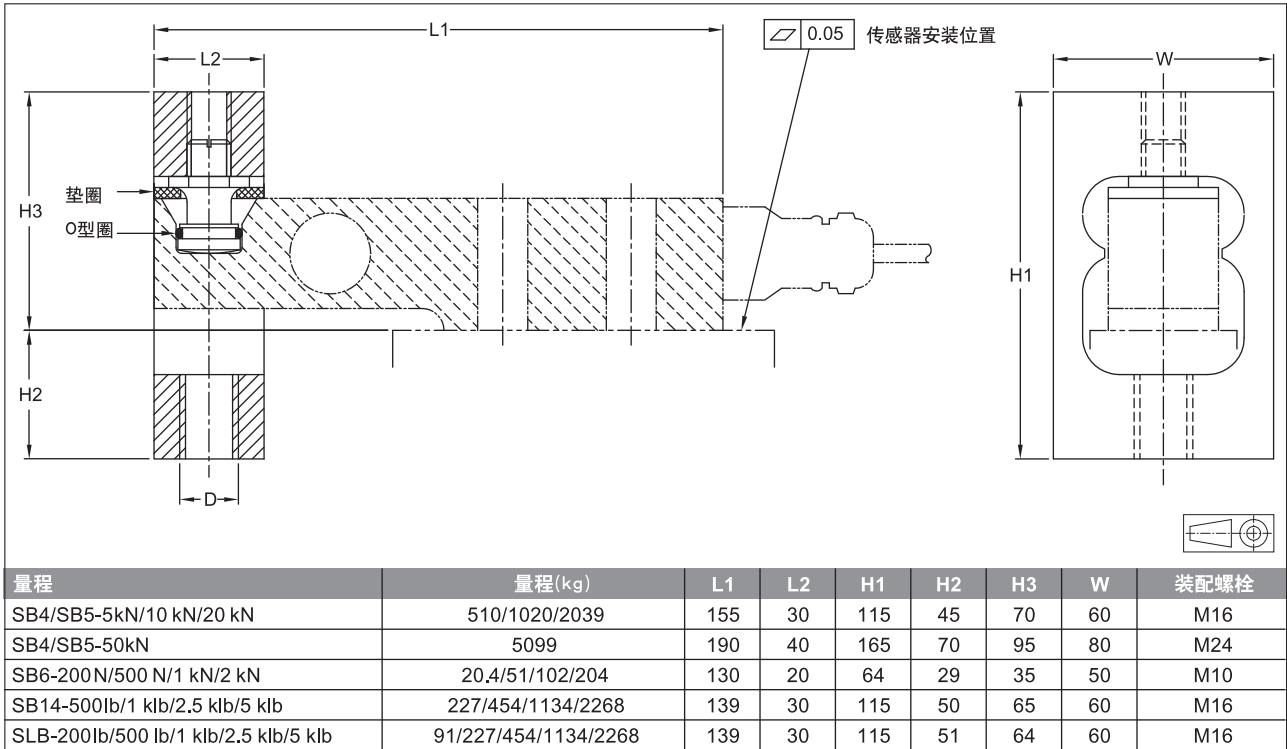


三个称重传感器的容器称重系统



导轨导程结构

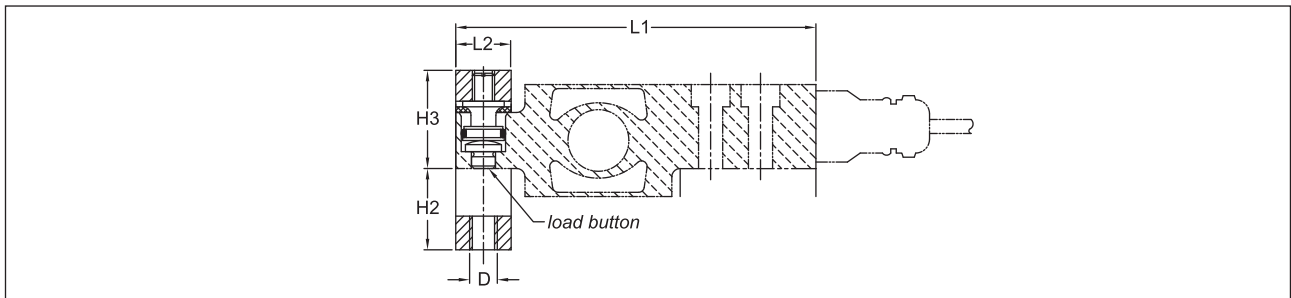
## Dimensions 尺寸



All dimensions in mm. 所有尺寸单位为mm.

CAD files for customer's own application drawings are available on request. 可提供CAD设计图纸。

## Details Type SB6 Load Cell SB6称重传感器安装示意图



## Details of connection to a load carrier 装载连接图

