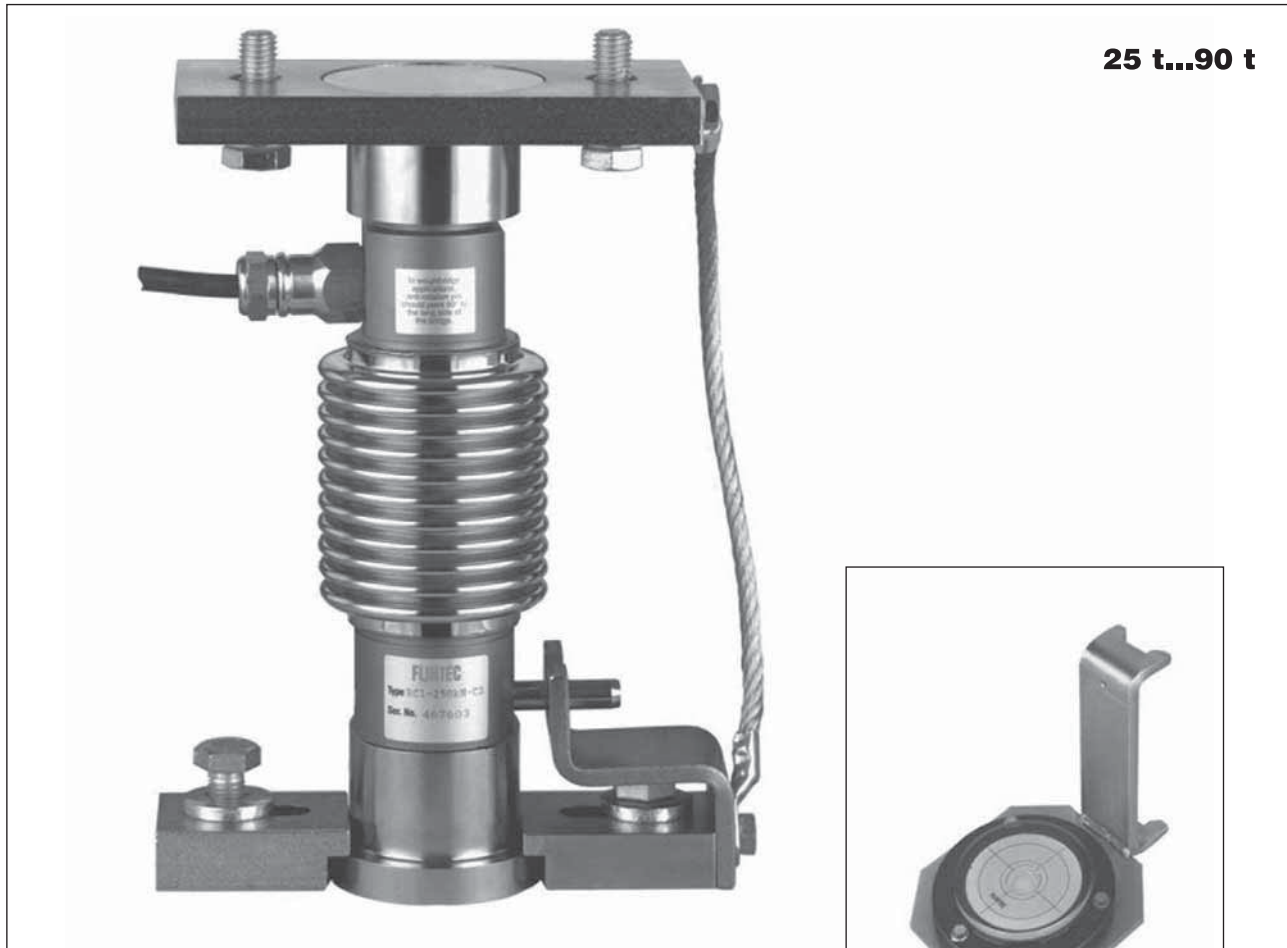


## Type 55-01-07A/C Rocker System

55-01-07A/C摇柱系统



Rocker System 55-01-07A/C with RC1 Load Cell  
55-01-07A/C摇柱系统



Flintec Bubble Level FLINTEC水平仪

摇柱自复位系统减少侧向力对整机精度的影响，整体结构低，可灵活调整安装位置，水平仪用于检查传感器是否复位。

### Important Features

- Capacities 25 t, 40 t, 60 t and 90 t.
- Low cost.
- Very easy to install.
- Especially designed for weighbridges.
- W&M certified.

### Accessories

- Mounting fixture.
- Bubble level.
- Welding plate.

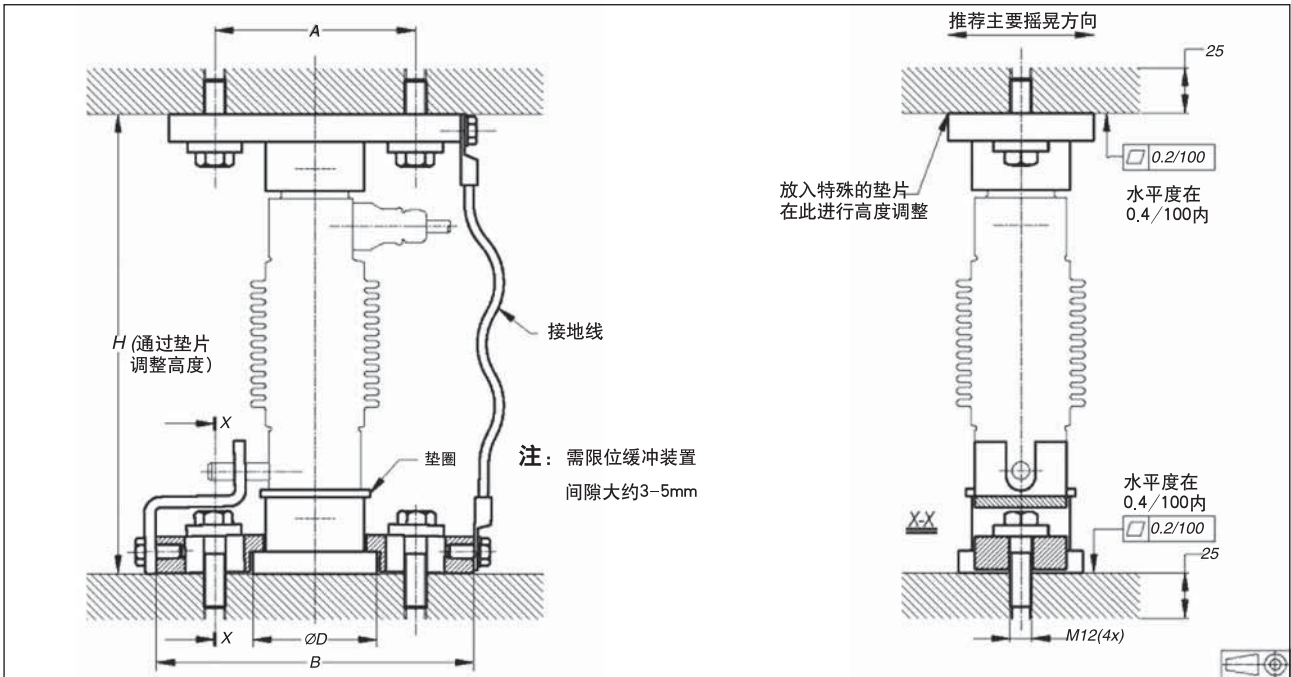
### 主要特点

- 量程: 25t, 40t, 60t和90t
- 低成本
- 易安装
- 专为汽车衡、轨道衡设计
- W&M认证

### 附件

- 固定安装装置
- 水平仪
- 定位板

## Dimensions 尺寸

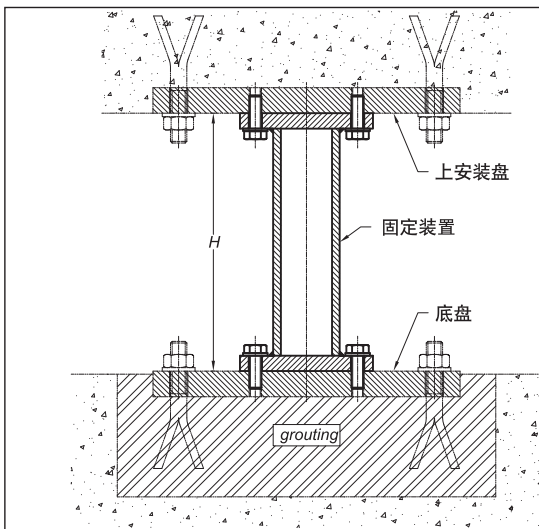


| Load cell type 型号 | A   | B   | D  | H       |
|-------------------|-----|-----|----|---------|
| RC1-250 kN        | 110 | 176 | 68 | 252     |
| RC1-400 kN        | 110 | 176 | 68 | 285     |
| RC1-600 kN        | 130 | 196 | 88 | 300     |
| RC1-900 kN        | 130 | 196 | 88 | 300     |
| RC3-30t/RC3D-30t  | 110 | 176 | 68 | 200/210 |
| RC3-40t/RC3D-40t  | 110 | 176 | 68 | 210     |
| RC3-50t/RC3D-50t  | 130 | 196 | 88 | 240     |

All dimensions in mm. 所有尺寸单位为mm.

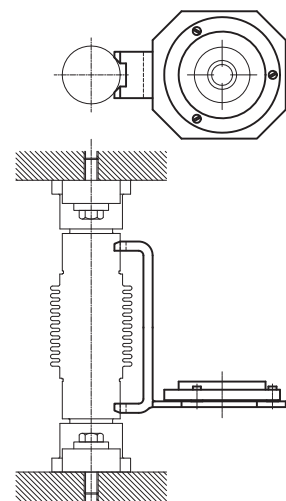
Assembly drawings with installation instructions and CAD files for customer's own application drawings are available on request. 可提供安装尺寸图和CAD应用图。

## Accessories 附件



The mounting fixture is used for easy and accurate positioning of the foundation plate.

安装简易图和底板的安装位置图



The Flintec bubble level.  
FLINTEC的水平仪