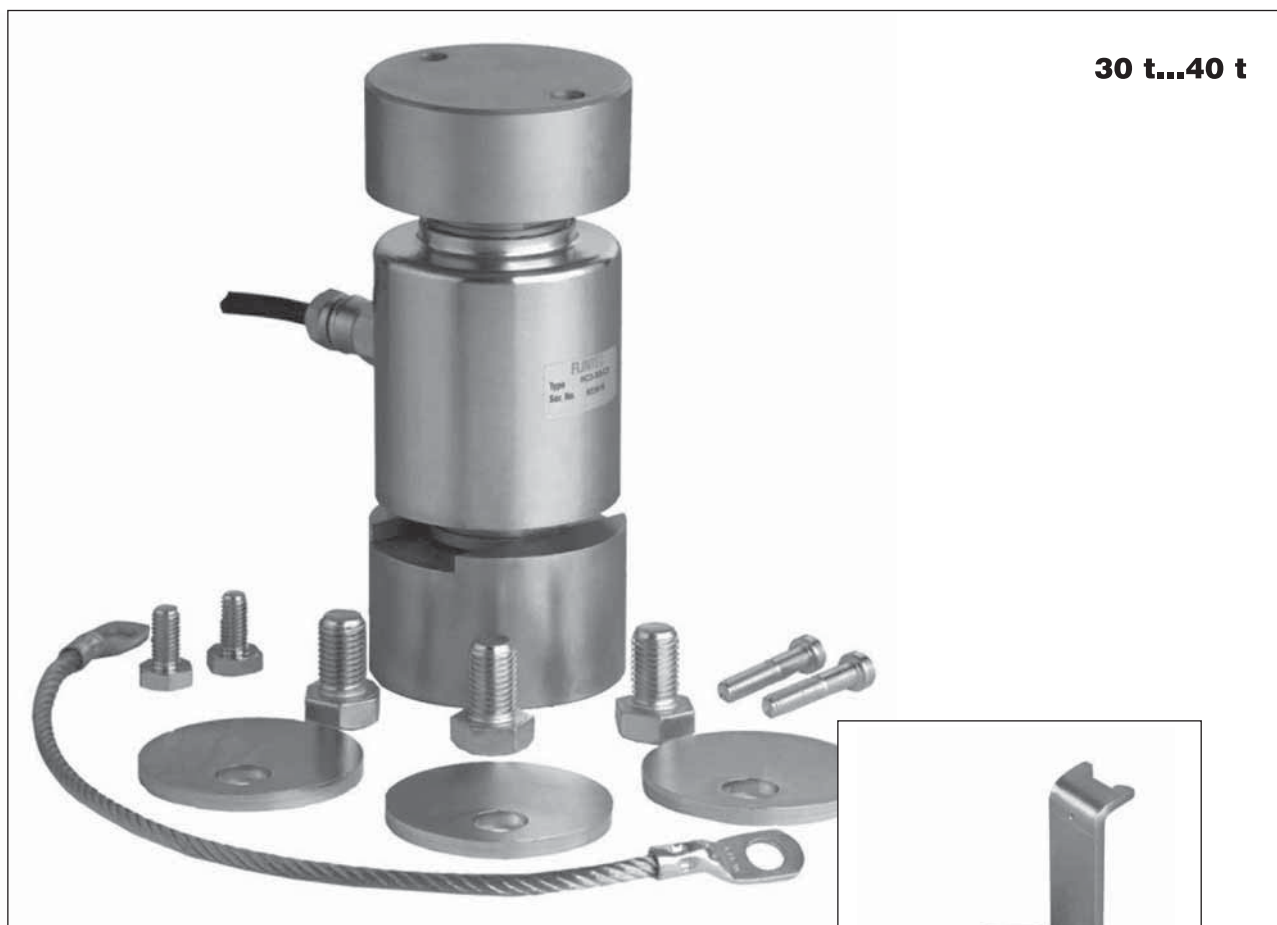


## Type 55-01-07H Rocker System

55-01-07H摇柱系统



Rocker System 55-01-07H with RC3 Load Cell  
带RC3称重传感器的55-01-07H摇柱系统



Flintec 水平仪

摇柱自复位系统减少侧向力对整机精度的影响，整体结构低，可灵活调整安装位置，水平仪用于检查传感器是否复位。

### Important Features

- Capacity 30 t and 40 t.
- Low cost.
- Very easy to install.
- Especially designed for weigh bridges.
- W&M certified.

### Accessories

- Bubble level.

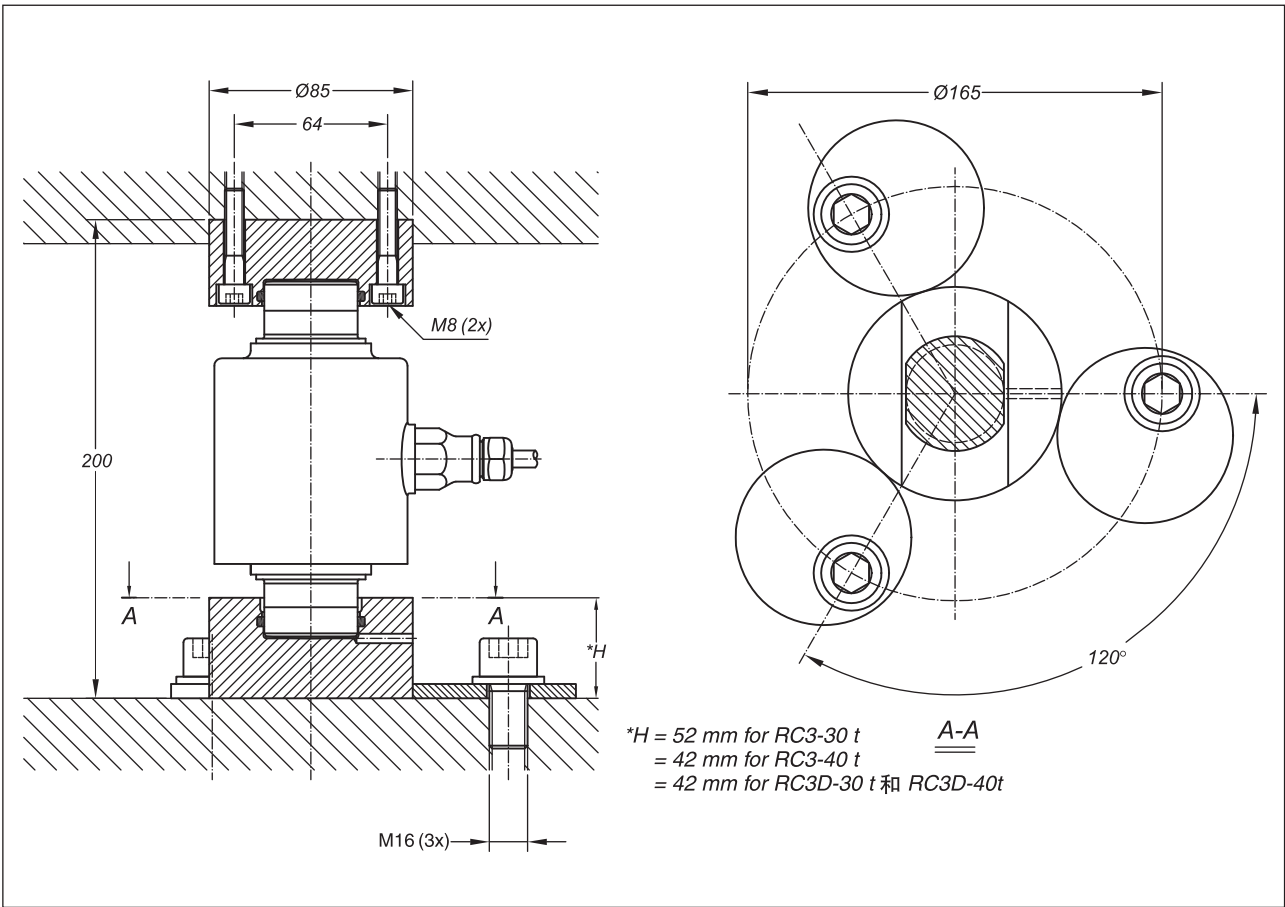
### 主要特点

- 量程: 30t ~ 40t
- 低成本
- 易安装
- 专为汽车衡、轨道称设计
- W&M认证

### 附件

- 水平仪

**Dimensions 尺寸**



All dimensions in mm. 所用尺寸单位为mm.

Assembly drawings with installation instructions and CAD files for customer' s own application drawings are available on request.

可提供安装尺寸图和应用的CAD图。