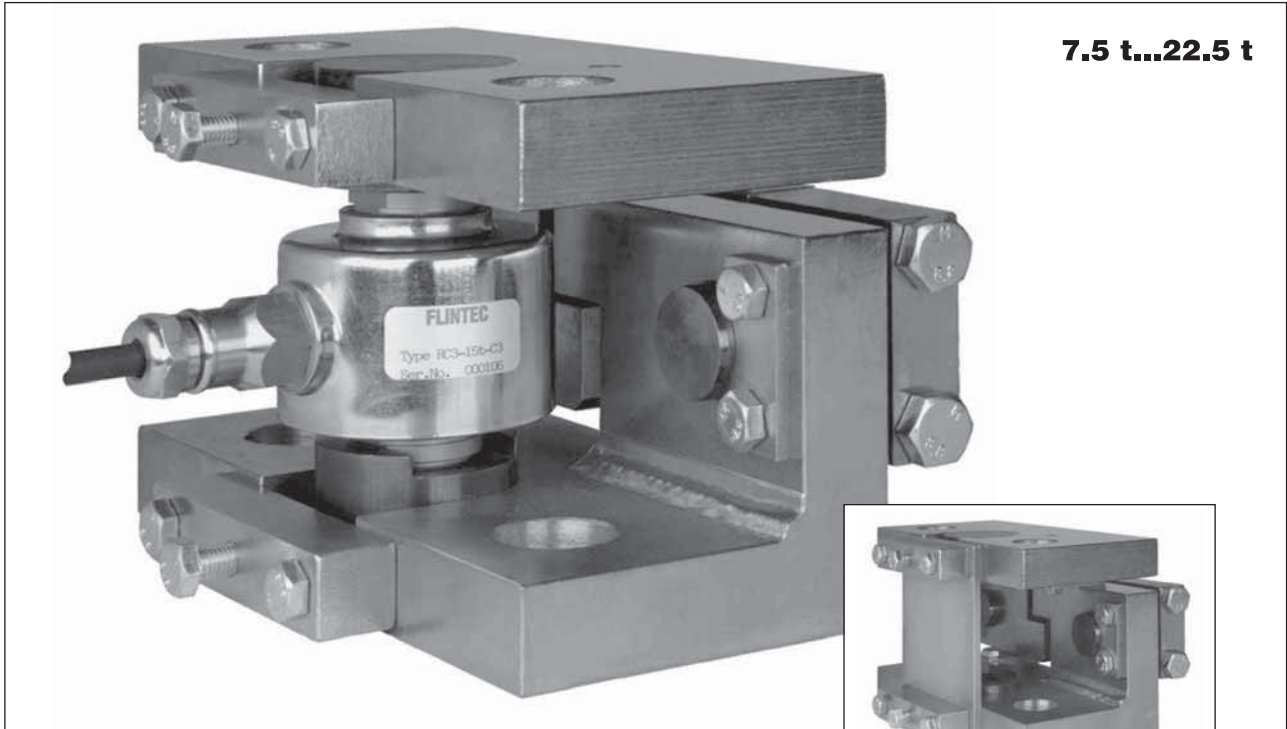


Type 55-01-11 Weigh Module

55-01-11自限位称重模式



7.5 t...22.5 t

Weigh Module 55-01-11 with RC3 Load Cell
带RC3称重传感器的55-01-11摇柱系统

Pre-assembled module 模型组装图

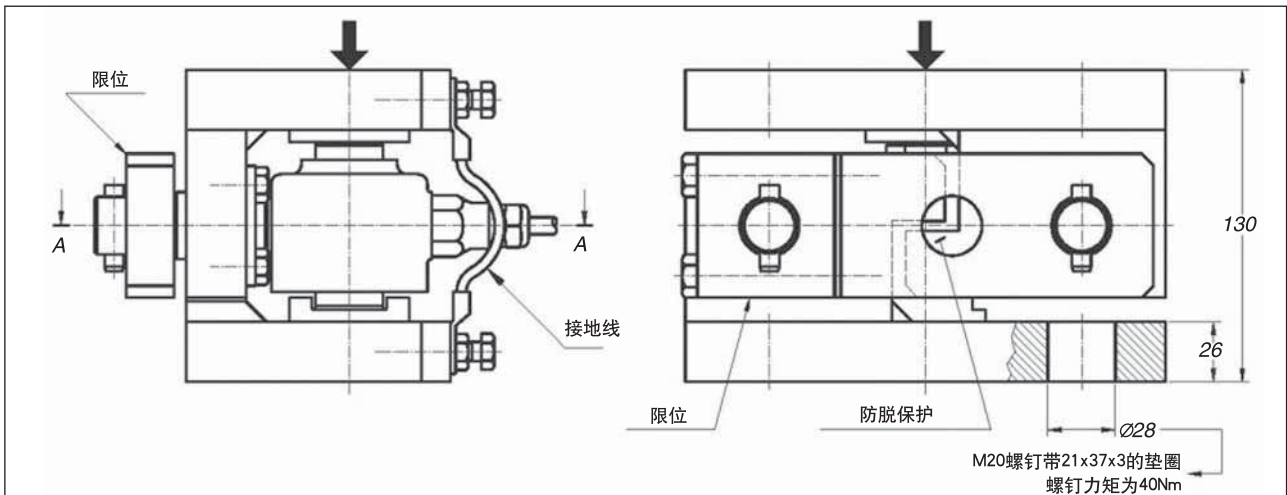
Important Features

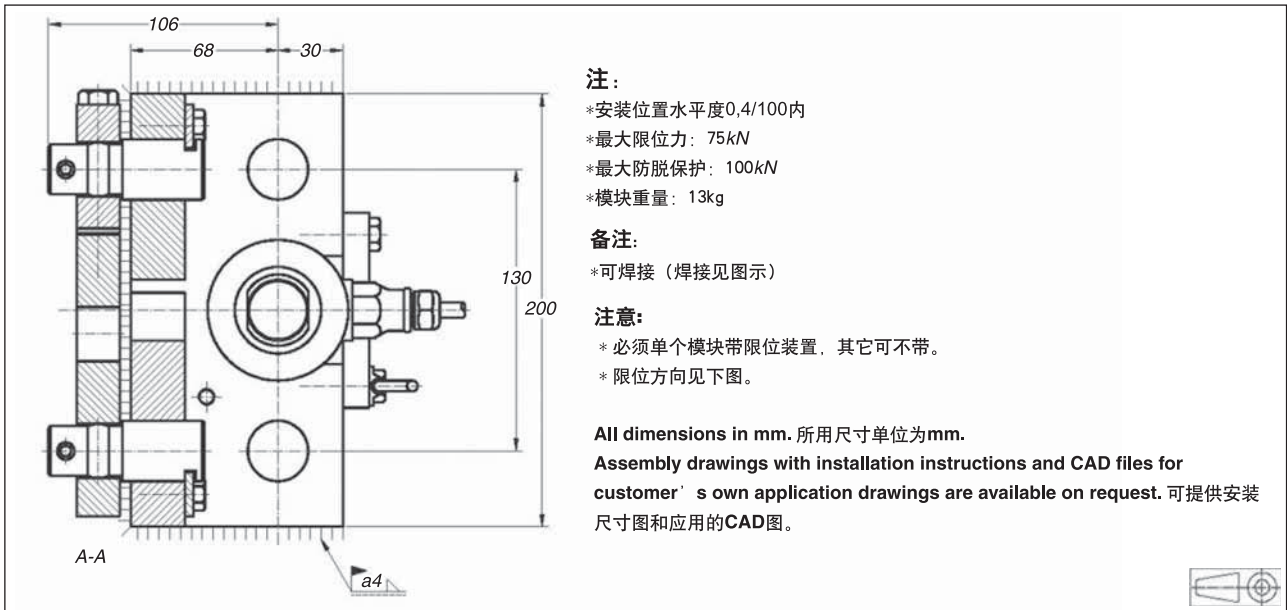
- Capacities 7.5 t, 15 t and 22.5 t.
- Very easy to install.
- Very rugged.
- Especially designed for hopper and tank weighing with slow moving agitators.
- With integrated lift off protection.
- Load cell replacement requires minimum lifting height.

主要特点

- 量程: 7.5t,15t和22.5t
- 易安装
- 高强度
- 为带搅拌或振动的大型料仓和容器的称重而设计, 能够减少震动引起的移动。
- 完整的防脱离保护装置
- 传感器替换时, 只需要最小的提升, 替换方便
- 30t-300t传感器可选用

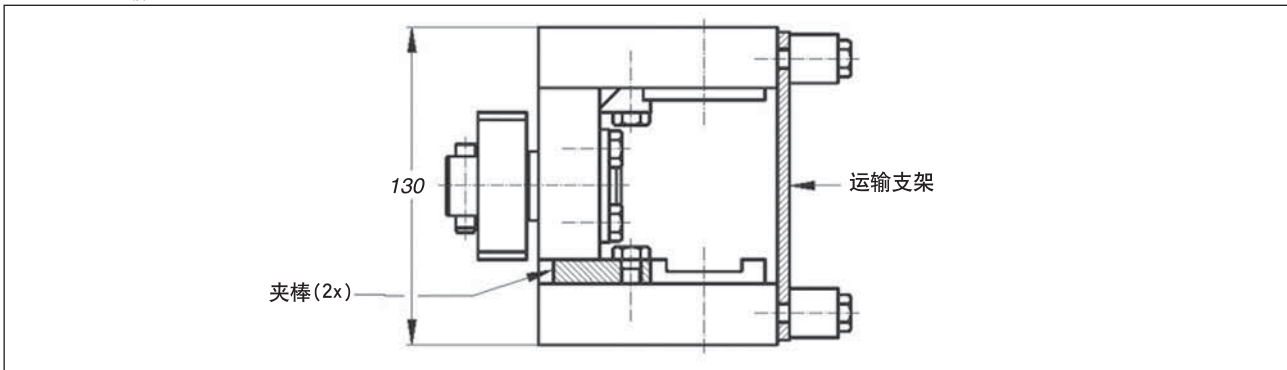
Dimensions 尺寸





Module assembled for shipment and installation

安装和运输模型组装图



Check link orientation for Weigh Module 55-01-11

55-01-11限位装置安装示意

