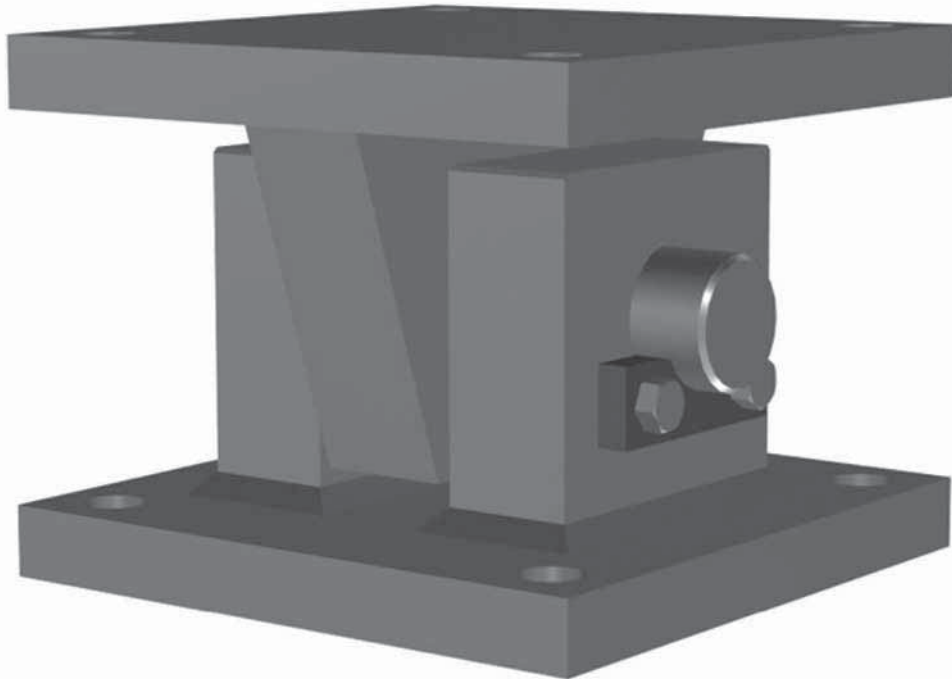


Type 56-02 Dummy Support

56-02支撑装置

7.5 t...40 t


Important Features

- Capacities 7.5 t to 40 t.
- Easy installation by bolting or welding.
- Tolerates large angular errors for tank foot and foundation plate.
- Allows thermal expansion/contraction.
- Very rugged design.

Accessory

- Welding plates top and /or bottom

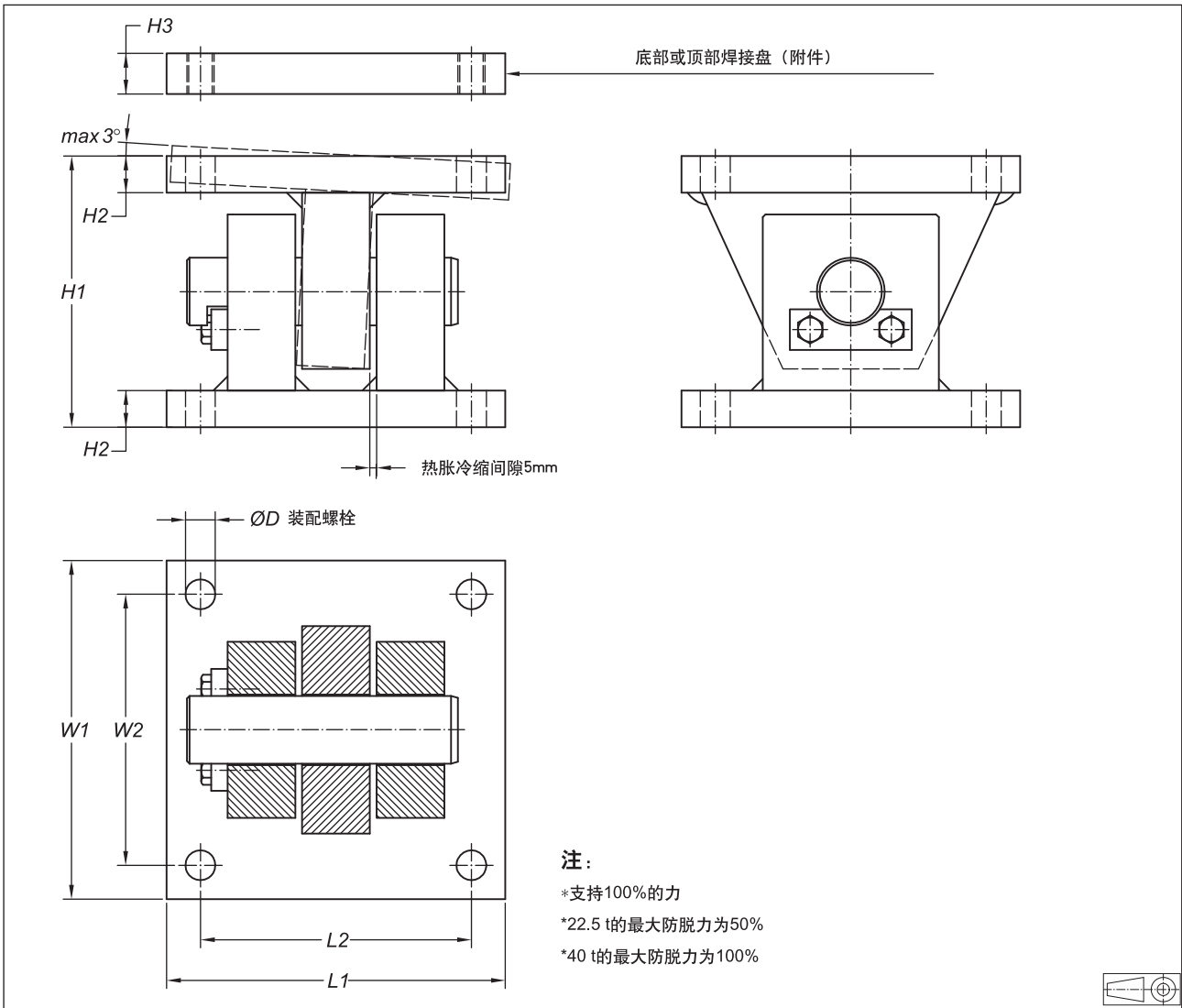
主要特点

- 量程: 7.5t...40t
- 易安装
- 对安装基板和罐体的支撑支脚允许较大的公差
- 允许热膨胀/收缩
- 高强度

附件

- 顶部和底部板焊接连接

Dimensions 尺寸



量程	对应模块	H1	H2	H3	L1	L2	W1	W2	D	螺栓
7.5/15/22.5 t	55-20/55-01/55-01-07D	130	22	25	180	140	180	140	18.5	M16 8.8
30/40 t	55-20/55-01-07C*	200	27	30	250	200	250	200	22	M20 8.8

* Requires special cups for 40 t. 对于40t需安特殊的压头。

All dimensions in mm. 所用尺寸单位为mm.

CAD files for customer's own application drawings are available on request. 可提供应用的CAD图。

Orientation of dummy support 支撑装置安装

