

## Product Description

The polyester junction box is available in 4 versions:

- Junction box KPF-4 to connect 4 load cells in parallel.
- Junction box KPF-6 to connect 6 load cells in parallel.
- Junction box KPF-8 to connect 8 load cells in parallel.
- Junction box KPF-10\* to connect 10 load cells in parallel.

Special designed for weigh bridges and silos, including surge arrestors for lightning protection.

The junction box can be connected with a shielded 6-wire cable to the instrumentation.

Corner trimming by resistors.

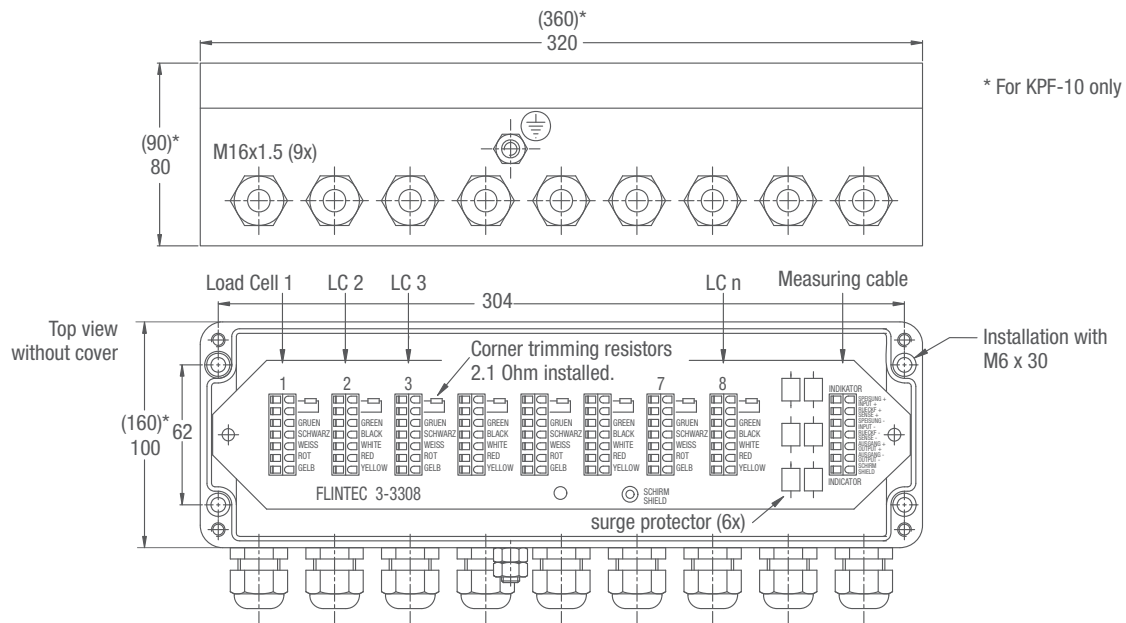
\*Attention:

KPF-10 in larger box.

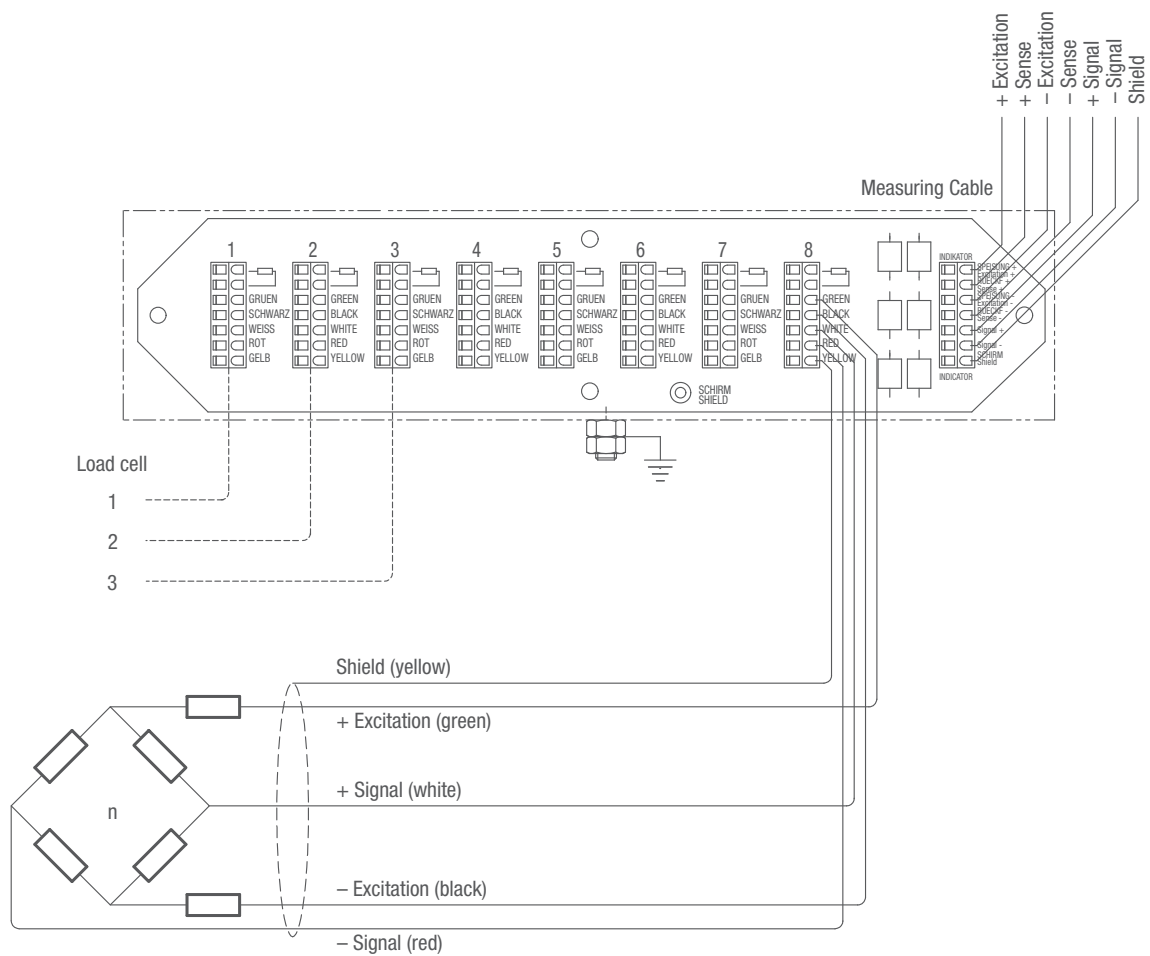
## Key Features

- Connection for 4, 6, 8 or 10 load cells
- Rugged polyester industrial box
- Protection IP66
- Including surge arrestors

### Dimensions (in mm)



### Wiring



The version for 6 load cells is shown. Connections are similar for 4, 8 and 10 load cells.

### Notes

- Cable gland M16x1.5 for cable diameter 5...10 mm.