



Product Description

The painted aluminium junction box is available in 3 versions: Junction box KA-4 is designed to connect 3 or 4 load cells in parallel. The cable connections are done by soldering, the corner trimming is done by resistors.

Junction box KA-6 is an extended version of KA-4 which can accommodate up to 6 load cell connections in parallel. It uses the same housing, but has a different printed circuit board and 2 more cable glands.

The type KAK-4 junction box is designed to connect 3 or 4 load cells in parallel. The cable connections are done with clamping terminals and the corner trimming by resistors and/or potentiometer.

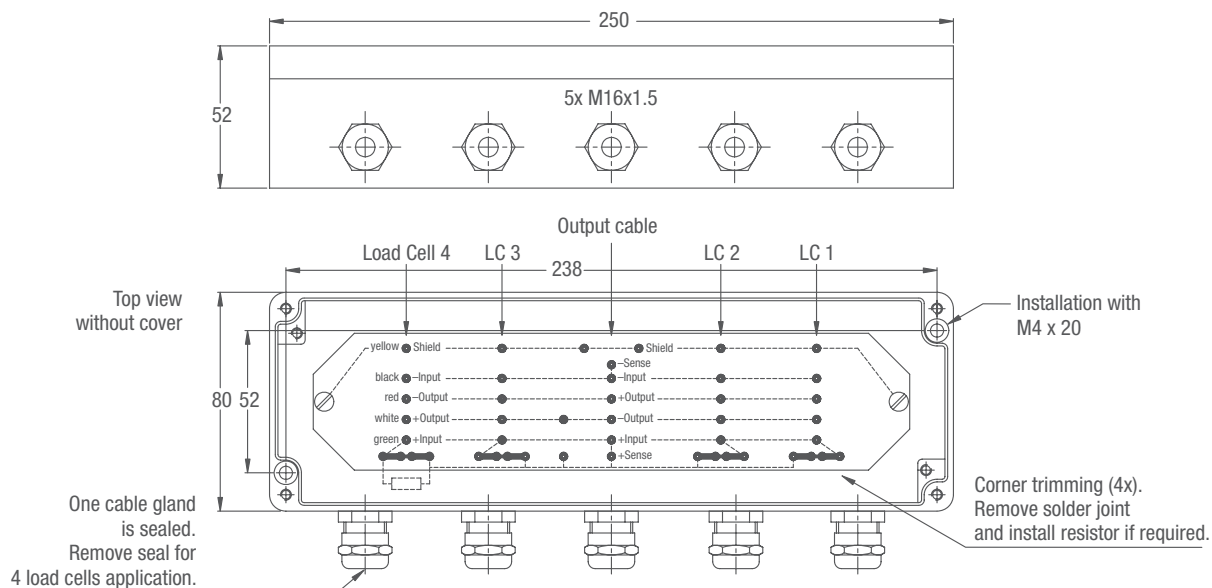
One gland is sealed as indicated in the drawings.

The junction boxes can be connected with a shielded 6-wire cable to the instrumentation.

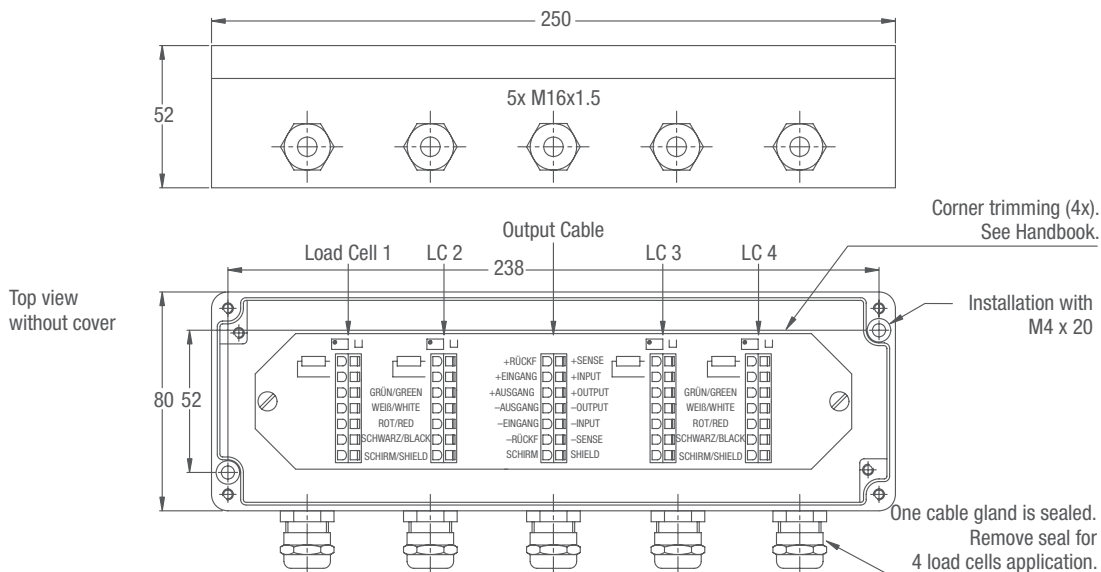
Key Features

- Connection for up to 4 load cells (KA-4, KAK-4) and 6 load cells (KA-6)
- Rugged polyester industrial box
- Protection IP66
- Cable connection with clamping terminals (KAK-4 only)

Dimensions of type KA-4 (in mm)



Dimensions of type KAK-4 (in mm)



Notes

- Cable gland M16x1.5 for cable diameter 5...10 mm.